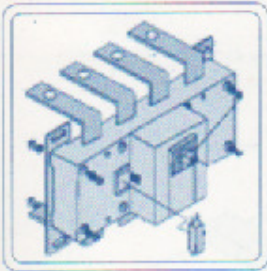


Load Break Disconnect Switch

DGL-125A-4000A Load Break Switch-Front Operation

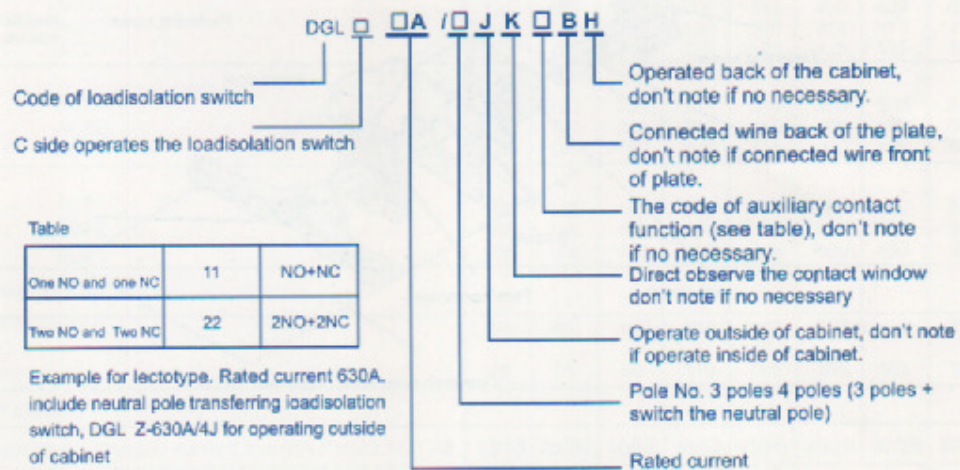


Service environment:

- DGL load-isolation switch can operate under the following conditions :
- Altitude not more than 2000m
- The range of ambient temperature is from 5 °C to 40 °C
- Relative humidity not more than 95%
- The environment without any explosive medium
- The environment without any rain or snow attacking

Note: If the product is expected to be used in the environment where temperature is over +40°C or below -5 °C~-45 °C, users shall tell it to the manufacturer.

Application :



Operation mode:

DGL loadisolation switch can be divided into 15 specs from 125A to 4000A, it is the basic type of module design, it has three poles and four poles (three poles + switch neutral pole), applied to make and break circuit or electric isolate, over 1000A is only for electric isolation.

Symbol window on front face indicates the contact on-off state.

- Direct operation: The handle is installed in the middle of switch directly.
- Operate outside of cabinet: The handle is installed outside of distribution cabinet.
- It can be assembled two groups auxiliary contacts.



Load Break Disconnecter Switch

DGL-125A-4000A Load Break Switch-Front Operation

