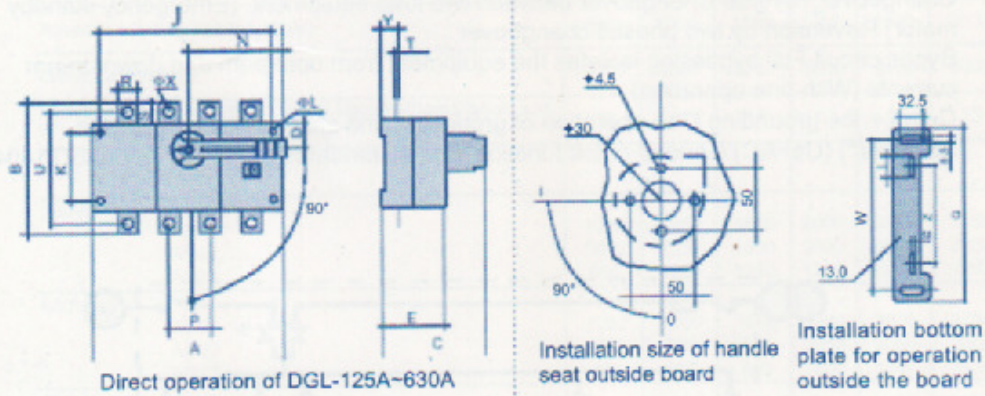
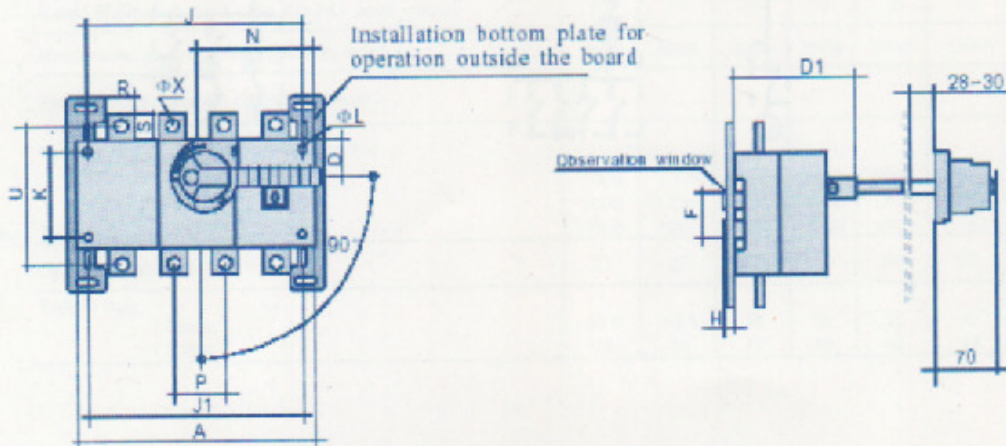


Load Break Disconnecter Switch
DGL-125A-4000A Load Break Switch-Front Operation

External Dimension and Installation Dimension of DGL-125A-630A Load Break switch:



Specification	Dimension of Bottom Board				
	I	M	Z	W	Q
DGL-125A-630A					
125A	55	5.5	85	190	218
160A	55	5.5	85	190	218
200A	55	5.5	85	190	218
250A	55	5.5	85	190	218
315A	60	6.5	130	240	270
400A	60	6.5	130	240	270
500A	60	6.5	130	240	270
630A	60	6.5	130	240	270



Load Break Disconnecter Switch

DGL-125A-4000A Load Break Switch-Front Operation



External Dimension and Installation Dimension (Tab):

Specification	Dimension of Bottom Board										
	A	B	C	D	D1	E	eL	J	J1	K	
DGL-125A-630A											
125A/3	140	135	125	27	92	73	5.5	120	120	65	
125A/4	170	135	125	27	92	73	5.5	150	150	65	
160A/3	140	135	125	27	92	73	5.5	120	120	65	
160A/4	170	135	125	27	92	73	5.5	150	150	65	
200A/3	180	170	136	35	98	86	5.5	160	160	90	
200A/4	230	170	136	35	98	86	5.5	210	210	90	
250A/3	180	170	136	35	98	86	5.5	160	160	90	
250A/4	230	170	136	35	98	86	5.5	210	210	90	
315A/3	230	240	165	50	135	110	7	210	210	140	
315A/4	295	240	165	50	135	110	7	210	210	140	
400A/3	230	240	165	50	135	110	7	210	210	140	
400A/4	295	240	165	50	135	110	7	210	210	140	
500A/4	230	240	165	50	135	110	7	210	210	140	
500A/4	295	240	165	50	135	110	7	275	275	140	
630A/3	230	240	165	50	135	110	7	210	210	140	
630A/4	295	240	165	50	135	110	7	275	275	140	

Specification	External Dimension and Installation Dimension									
	N	P	R	S	T	U	eX	Y	F	H
DGL-125A-630A										
125A/3	85	36	20	25	305	115	9	25	39	10
125A/4	85	36	20	25	3.5	115	9	25	59	10
160A/3	85	36	20	25	305	115	9	25	39	10
160A/4	85	36	20	25	3.5	115	9	25	59	10
200A/3	115	50	25	30	3.5	140	11	25	76	15
200A/4	115	50	25	30	3.5	140	11	25	76	15
250A/3	115	50	25	30	3.5	140	11	25	76	15
250A/4	115	50	25	30	3.5	140	11	25	76	15
315A/3	145	65	32	40	5	206	11	25	94	20
315A/4	145	65	32	40	5	206	11	37	94	20
400A/3	145	65	32	40	5	206	11	37	94	20
400A/4	145	65	32	40	5	206	11	37	94	20
500A/4	145	65	40	50	6	220	13	37	94	20
500A/4	145	65	40	50	6	220	13	37	94	20
630A/3	145	65	40	50	6	220	13	37	94	20
630A/4	145	65	40	50	6	220	13	37	94	20