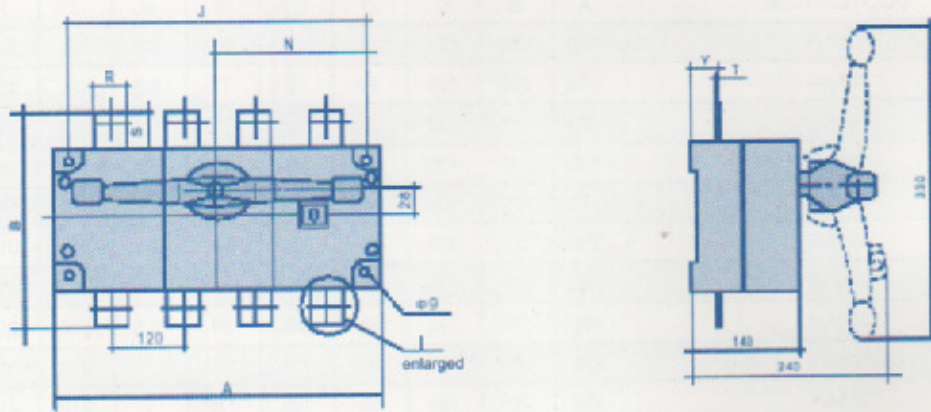
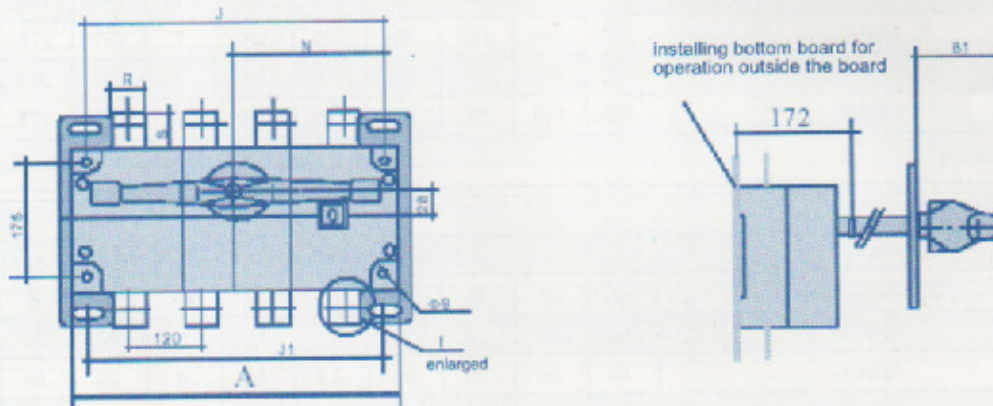


**Load Break Disconnect Switch
DGL-125A-4000A Load Break Switch-Front Operation**

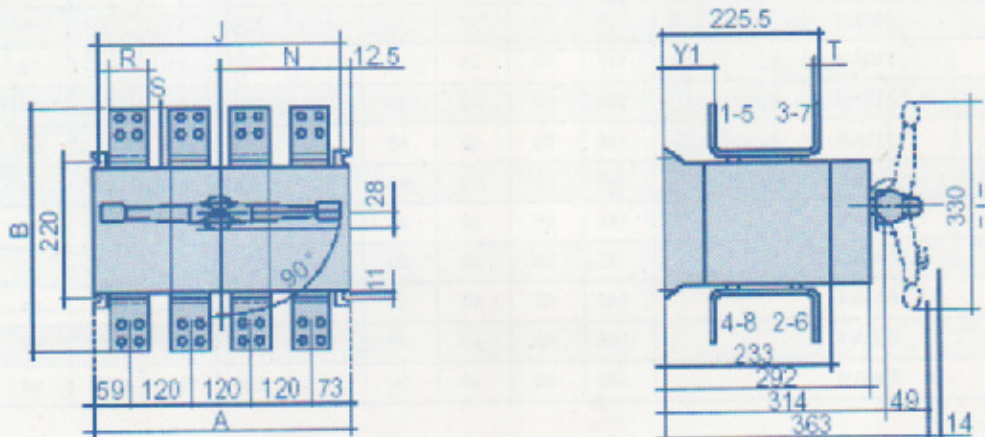
External Dimension and Installation Dimension of DGL-1000A-4000A Load Break Switch :



Direct operation of DGL-1000A~1600A

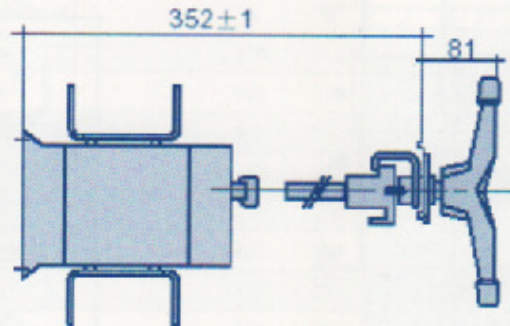


Operation outside DGL-1000A~1600A/J board

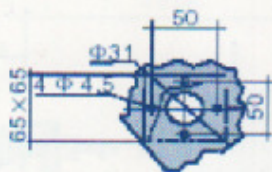


Direct operation of front face DGL-2000A~2500A

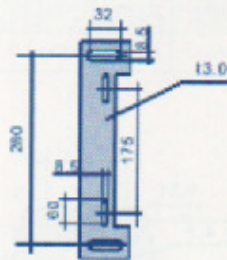
Load Break Disconnecter Switch
DGL-125A-4000A Load Break Switch-Front Operation



Operation outside DGL-2000~2500A

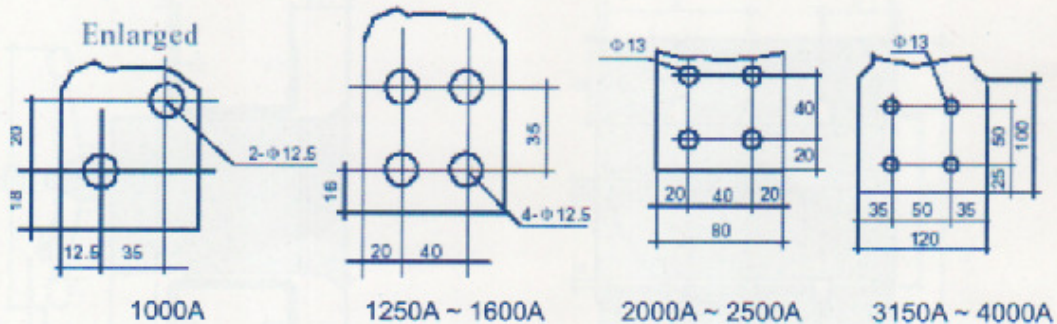


Installation size of handle seat outside board



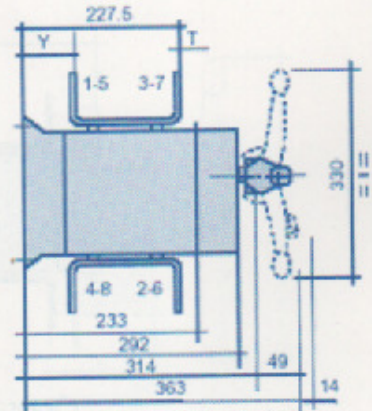
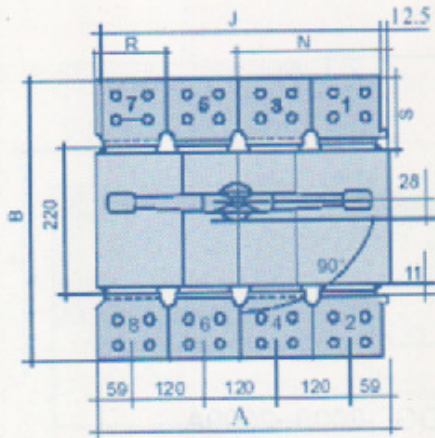
Installation bottom board for operation outside the board

Connecting terminal

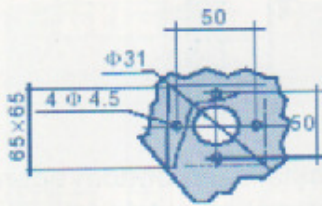




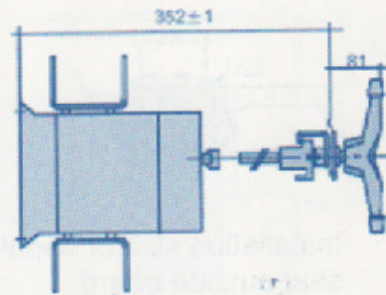
Load Break Disconnecter Switch DGL-125A-4000A Load Break Switch-Front Operation



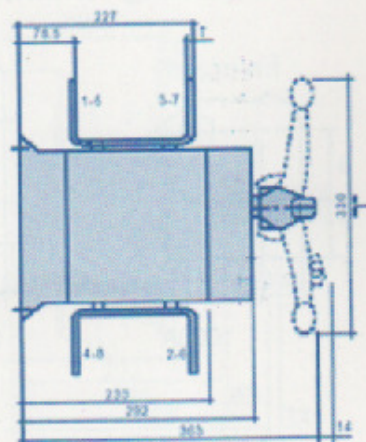
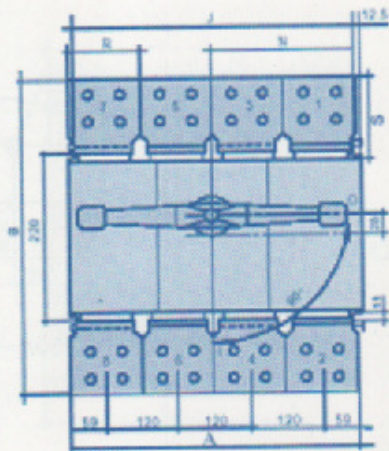
Direct operation of front face DGL 3150A



Installation size of front face cabinet
outside DGL-2000A~4000A



Operation outside DGL-3150~4000A



Direct operation on front face DGL 4000A

Load Break Disconnect Switch
DGL-125A-4000A Load Break Switch-Front Operation



External Dimension and Installation Dimension (Tab):

Specification	External Dimension and Installation Dimension								
	A	B	J	J1	N	R	S	T	Y
DGL-1000A-4000A									
1000A/3	378	312	355	355	174	60	56	8	48
1000A/4	492	312	473	373	234	60	56	8	48
1250A/3	378	338	355	355	174	80	69	8	48
1250A/4	492	338	473	473	234	80	69	8	48
1600A/3	378	338	355	355	174	80	69	10	49
1600A/4	492	338	473	473	234	80	69	10	49
2000A/3	378	455	355	355	173.5	80	127.5	10	78.5
2000A/4	492	455	473	473	233.5	80	127.5	10	78.5
2500A/3	378	455	355	355	173.5	80	127.5	10	78.5
2500A/4	492	455	473	473	233.5	80	127.5	10	78.5
3150A/3	378	505	355	355	173.5	120	152.5	12	78.5
3150A/4	492	505	473	473	233.5	120	152.5	12	78.5
4000A/3	378	505	355	355	173.5	120	152.5		78.5
4000A/4	492	505	473	473	233.5	120	152.5		78.5